

Netball Stand Set

Assemble Instruction Manual

CAUTION:

1. CHECK ALL CONTENTS ARE INCLUDED BEFORE ASSEMBLY.
2. ALWAYS ASSEMBLE AND DISASSEMBLE THE PRODUCT UNDER ADULT SUPERVISION.
3. ANY BREAKAGE FOUND ON THE PRODUCT, PLEASE STOP ASSEMBLING OR DISASSEMBLING IT.

CONTENTS:

1. RING X 1PC
2. NET X 1PC
3. TOP POLE X 1PC
4. MIDDLE POLE X 1PC
5. LOWER POLE X 1PC
6. AXLE X 1PC
7. WHEEL X 2PCS
8. LOWER LEFT BRACE X 1PC
9. LOWER RIGHT BRACE X 1PC
10. M6 X 20MM BOLT X 2 WASHERS AND NUT SET X 4PCS
11. M6 X 16MM BOLT X 2 WASHERS AND NUT SET X 4PCS
12. M8 X 70MM BOLT X 1PC WASHER AND NUT SET X 1PC
13. M8 X 37MM SCREW X 2PCS
14. MOLDED BASE X 1PC
15. MOLDED BASE CAP X 1PC

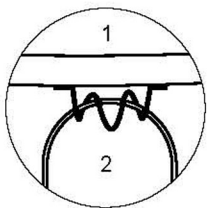
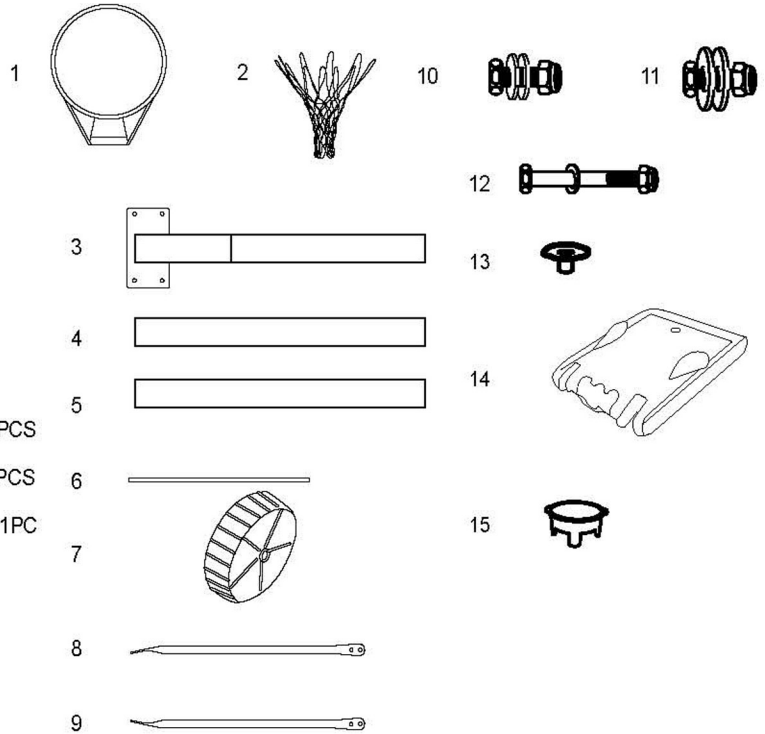


CHART #1

1. FASTEN THE NET TO THE GOAL BY HANGING IT ON THE METALLIC HOOKS AROUND THE RING AS CHART #1 .

2. ASSEMBLE THE RING WITH TOP POLE CAP USING SCREW (#10) AS CHART #2 .

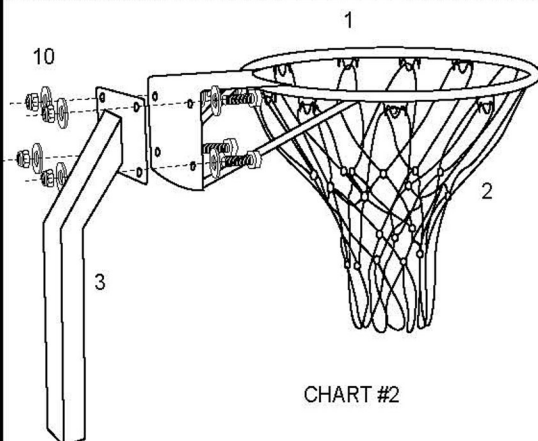
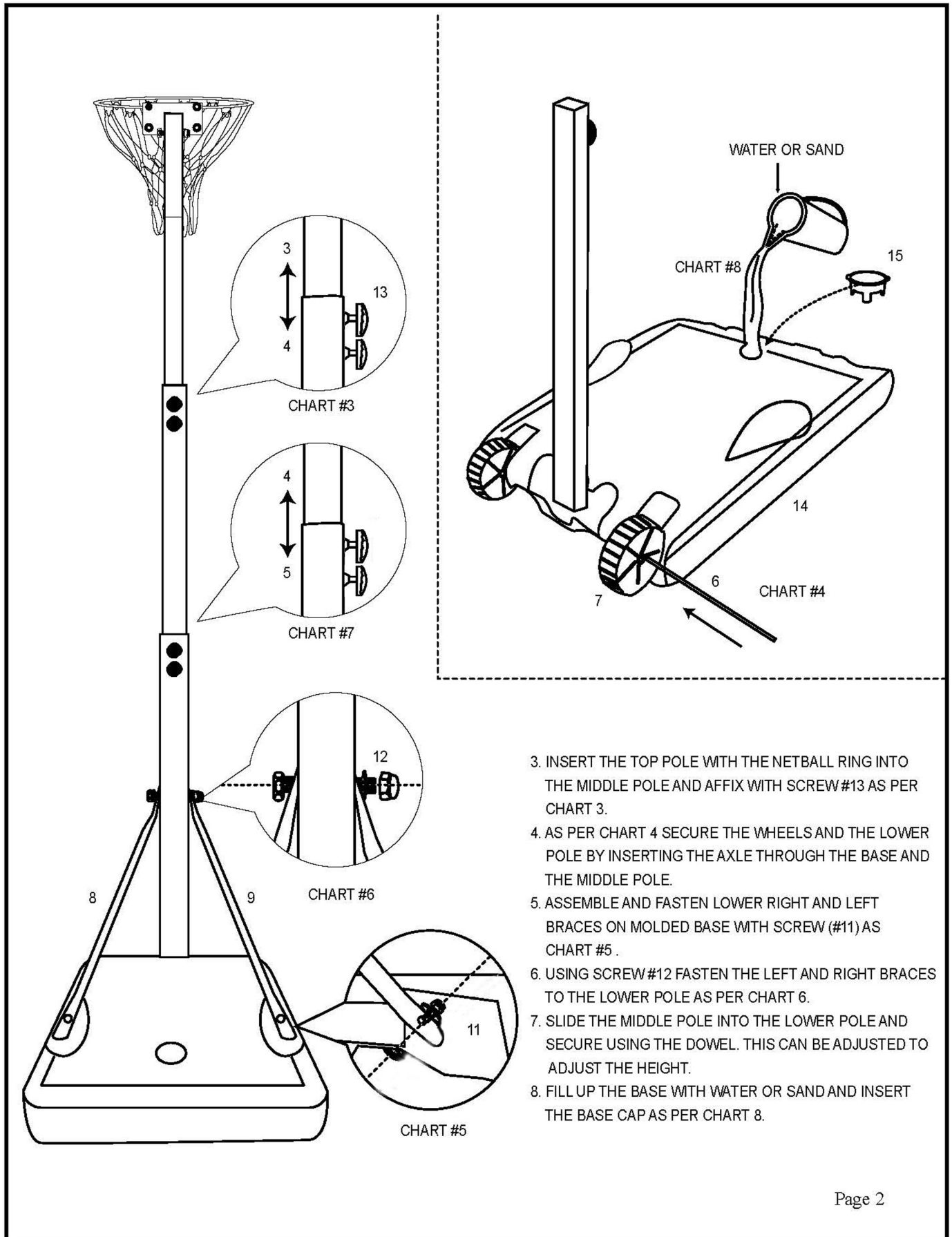


CHART #2

1. PLEASE DO NOT HANG OFF THE NETBALL RING.
2. PLEASE DO NOT HANG OBJECTS OF THE RING.
3. PLEASE CHECK THE PRODUCT BEFORE EACH USE.
4. THE STRUCTURE MUST BE ADJUSTED AND TRANSPORTED BY AN ADULT.
5. DURING WINDY CONDITIONS PLEASE MOVE THE UNIT TO A SHELTERED AREA.
6. IF THE PRODUCT IS FOUND TO BE DAMAGED, PLEASE CEASE USING THE PRODUCT IMMEDIATELY.
7. THIS PRODUCT IS NOT DESIGNED FOR SLAM DUNKS OR HANGING FROM THE RING. THIS MAY RESULT IN DEATH OR INJURY. IT MAY ALSO DAMAGE THE UNIT.
8. THE OWNER OF THIS EQUIPMENT IS RESPONSIBLE FOR ENSURING THAT ALL INDIVIDUALS FOLLOW SAFETY INSTRUCTIONS TO AVOID INJURIES OR DAMAGE TO PROPERTY.

Netball Stand Set

Assemble Instruction Manual



3. INSERT THE TOP POLE WITH THE NETBALL RING INTO THE MIDDLE POLE AND AFFIX WITH SCREW #13 AS PER CHART 3.
4. AS PER CHART 4 SECURE THE WHEELS AND THE LOWER POLE BY INSERTING THE AXLE THROUGH THE BASE AND THE MIDDLE POLE.
5. ASSEMBLE AND FASTEN LOWER RIGHT AND LEFT BRACES ON MOLDED BASE WITH SCREW (#11) AS CHART #5 .
6. USING SCREW #12 FASTEN THE LEFT AND RIGHT BRACES TO THE LOWER POLE AS PER CHART 6.
7. SLIDE THE MIDDLE POLE INTO THE LOWER POLE AND SECURE USING THE DOWEL. THIS CAN BE ADJUSTED TO ADJUST THE HEIGHT.
8. FILL UP THE BASE WITH WATER OR SAND AND INSERT THE BASE CAP AS PER CHART 8.